

CONSTRUCTION DETAIL NO. 4

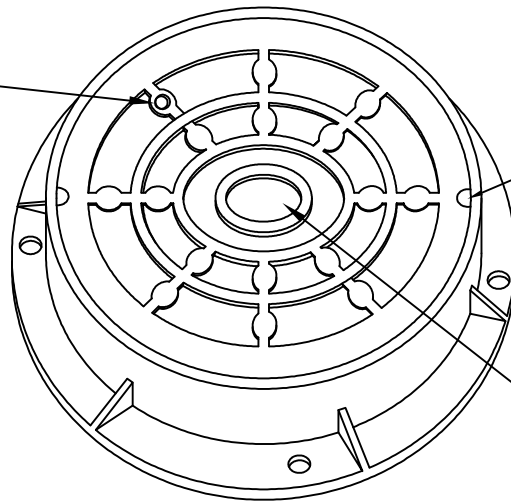
STANDARD FRAME AND COVERS
EAST JORDAN IRON WORKS #V-1384
US FOUNDRY #USF-668, KL

WATERPROOF FRAME AND COVER
US FOUNDRY #USF-668, KL-BWTL
OR APPROVED EAST JORDAN IRON WORKS BOLT-DOWN

FLAT SLAB FRAME AND COVER
US FOUNDRY #USF-1261, KL
EAST JORDAN IRON WORKS #V-1384-4

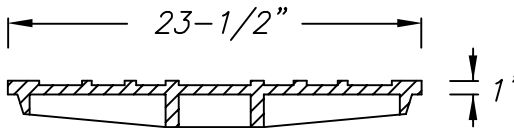
COVER TO HAVE A SINGLE, 1" DIAMETER VENT HOLE, UNLESS BOLT-DOWN COVER IS SPECIFIED, IN WHICH CASE, THE GASKET SHALL PROVIDE POSITIVE SEAL AT BOLT HOLES.

FRAME AND COVER SHALL BE CERTIFIED FOR A MINIMUM OF AASHTO H-20 LOADING

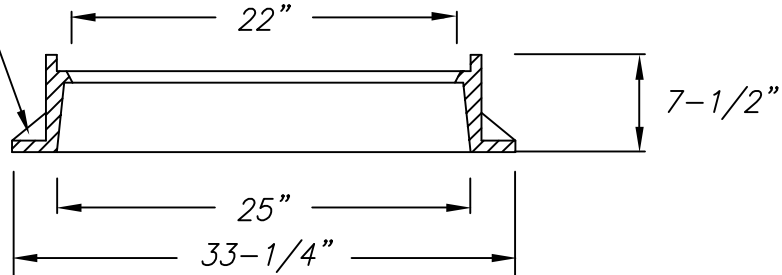


PROVIDE 2 (NON-PENETRATING) PICK HOLES

"S" OR "SANITARY SEWER" SHALL BE CAST ON THE COVER



FOUR-1" DIA. ANCHOR HOLES



STANDARD MANHOLE
FRAME & COVER

SCALE: NONE

REVISION DATE: APRIL 13, 2009