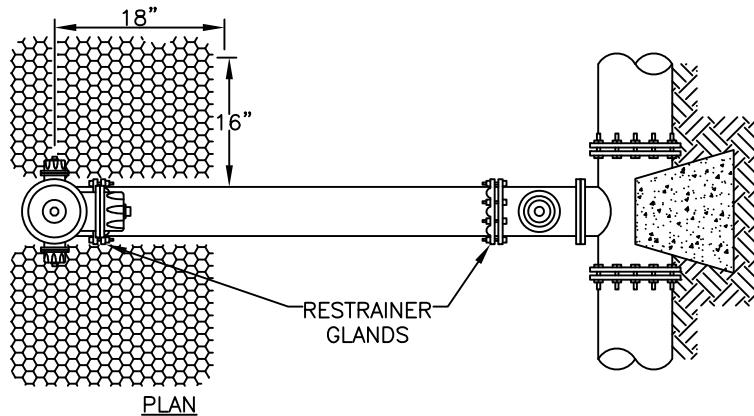


PLACE GRAVEL TO 6" ABOVE WEEP HOLES, 18" BELOW WEEP HOLES AND 18" TOWARDS THE MAIN. ALSO 16" Laterally ON EACH SIDE.



NOTE

1- RODS AND BLOCKING MAY BE USED IN LIEU OF APPROVED RESTRAINER GLANDS. SEE STANDARD SPECIFICATIONS FOR ROD AND BLOCKING INFORMATION.

THE INTENT OF THIS DETAIL IS TO CLARIFY AND NOT SUPERSEDE OR MODIFY THE SPECIFIC REQUIREMENTS AS LISTED IN THE SPECIFICATIONS



TYPICAL
HYDRANT INSTALLATION
(WITH WATER MAIN IN PAVEMENT)

SCALE: NTS

REVISION DATE: 11/07/2016